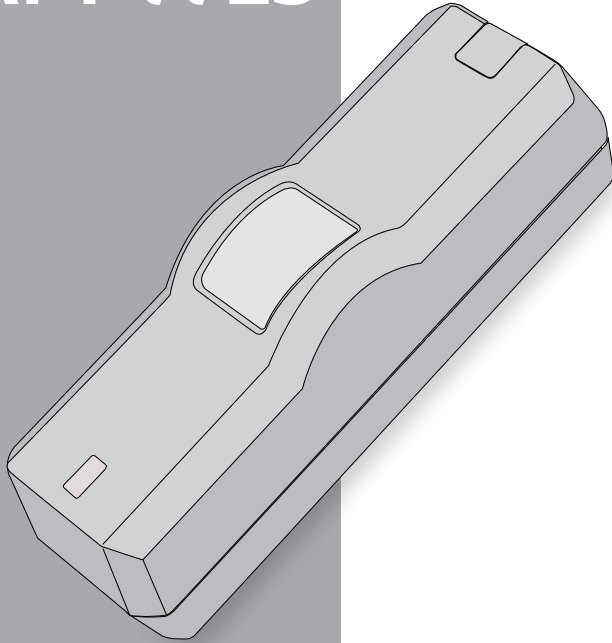


velum-C DT-AM WLS



ADD-ON

**WLS 868 MHz Bi-directional
Outdoor Curtain
Dual Technology (DT)
Motion Detector
Anti-masking (AM)**

INTRODUCTION

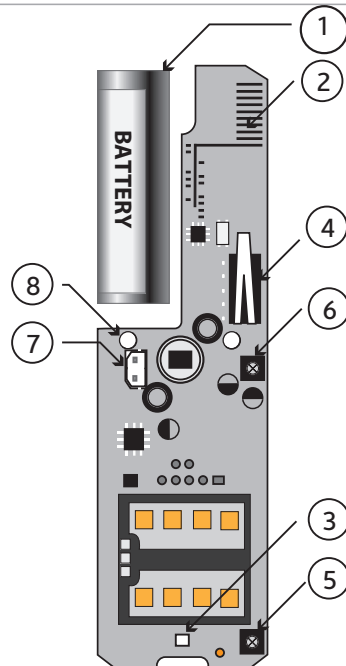
velum-C wls detector is a curtain movement detector that has the same main characteristics as velum wls detector; it can however be installed on the ceiling with a 6m vertical flow. In this way, positioned at the center of the frame, it ensures its complete coverage, creating an insurmountable barrier to any intruder.

TECHNICAL DATA

- Power supply: 1 battery pack 3.6 V - 2,7Ah included
maximum duration of at least 2 years.
- Range: 6m (room temperature 25°C)
- IR sensor: Dual element
- Operating frequency uW: 24.125 GHz
- Anti Masking Analysis: active infrared LED
- Thornproof: Accelerometer
- Sabotage: front microswitch
- Operating temperature range: from -20°C to +55° C
- RFI/EMI immunity: 20 V/m, 10-1000 MHz; 10 V/m, 1-2 Ghz
- White light immunity: 6500 lux
- Operating wireless frequency: 868 MHz band
- Sight range: up to 300 m
- Detection area: only a tent (angle from 7,5°)
- Vertical coverage: IR 90°, MW 80°
- Installation height: from 2 to 6 m on the wall
- Material housing and clamps: ABS
- Dimension: 129 x 38 x 40 mm
- Weigh: 90 g
- Protection: IP 54
- Color: Grey

PCBA DESCRIPTION

1. Battery Pack (cod. KSI7203627.000)*
2. RF Antenna.
3. Five colors RGB LED.
4. Front Microswitch.
5. Microwave trimmer adjustment (MW).
6. Infrared trimmer adjustment (IR).
7. Battery Pack Connector.
8. PCB Fixing hole.

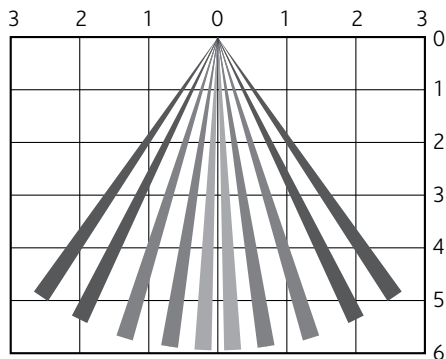


*Warning! Risk of explosion if the battery is replaced by an incorrect type.

COVERAGE DIAGRAM

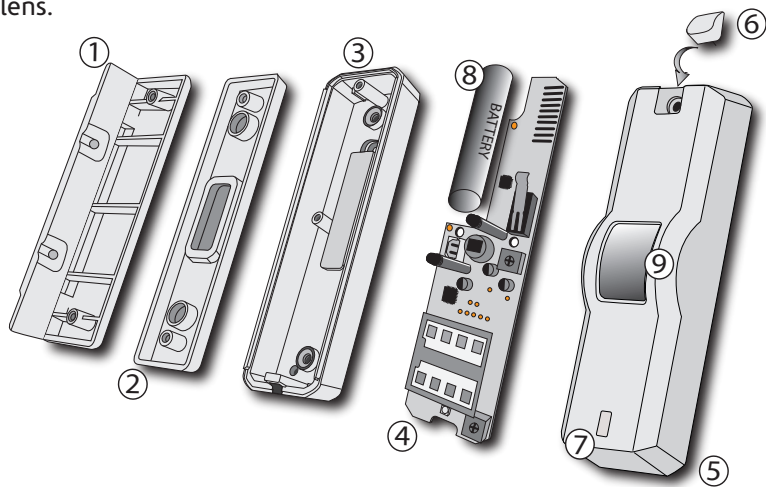
Max mounting height: 6m on the wall, or the frame inside of windows.

Vertical coverage: (TOP VIEW) IR 90°, MW 80°.

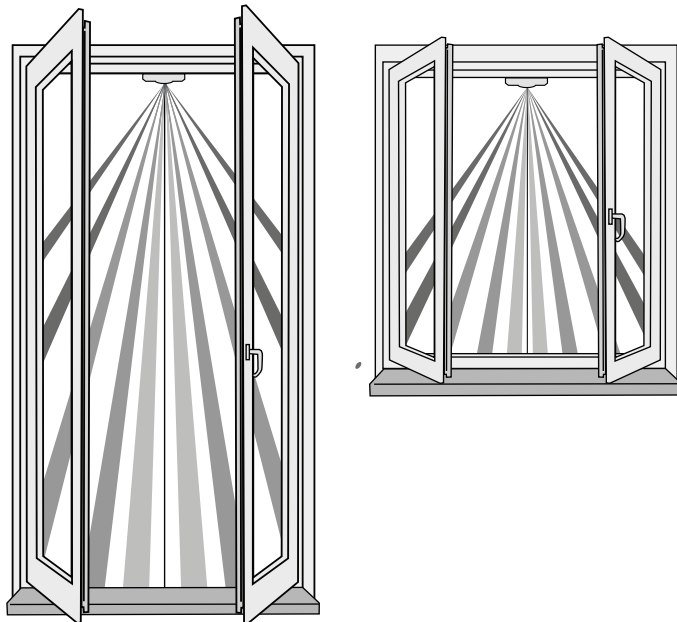


PARTS DESCRIPTION

1. Angular Mounting Bracket.
2. Flat Mounting Bracket.
3. Bottom.
4. PCB.
5. Front Cover.
6. Screw Cover.
7. LED lens.
8. Battery Pack.
9. Fresnel lens.



INSTALLATION



Delton

1141 Budapest, Fogarasi út 77.
Tel.: *220-7940, 220-7614, 220-7959,
220-8881, 364-3428 Fax: 220-7940
Mobil: 30 531-5454, 30 939-9989

1095 Budapest, Mester u. 34.
Tel.: *218-5542, 215-9771, 215-7550,
216-7017, 216-7018 Fax: 218-5542
Mobil: 30 940-1970, 30 959-0930

KSENIA.HU

E-mail: info@delton.hu Web: www.delton.hu

A dokumentáció a Delton szellemi tulajdona, ezért annak változtatása jogi következményeket vonhat maga után. A fordításból, illetve a nyomdai kivitelezésből származó hibákért felelősséget nem vállalunk. A leírás és a termék változtatásának jogát a forgalmazó és a gyártó fenntartja.